



1310nm Pulse Laser For OTDR

Features

- High output power $P_f = 20\sim 50$ mW @ $I_{FP} = 200$ mA
- Long wavelength $\lambda_c = 1310$ nm
- Built-in/out monitor PD
- Pulse Conditions: Pulse width (PW) = 10 μ s, Duty = 1%



Applications

OTDR System

Absolute Maximum Ratings

Parameter	Symbol	Min.	Typical.	Max.	Unit
Pulsed Forward Current	IFP			500	mA
Reverse Voltage	VR			2	V
Reverse Voltage (monitor PD)	VRM			10	V
Reverse Current (monitor PD)	IFPM			2	mA
Operating Case Temperature	TC	0		60	°C
Storage Temperature	Tstg	-40		85	°C
Lead Soldering Temperature	Tsld			260(10s)	°C
Relative Humidity (noncondensing)	RH			85	%

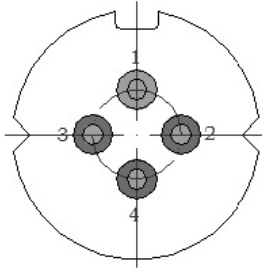
Optical & Electrical Characteristics

Parameter	Symbol	Min.	Typ.	Max.	Unit	Notes
Forward Voltage	VFP		2.0	2.5	V	$I_{FP} = 200$ mA, PW = 10 μ s, Duty = 1%
Threshold Current	I _{th}		20	35	mA	
Optical Output Power From SM Fiber	P _f	20		50	mW	$I_{FP} = 200$ mA, PW = 10 μ s, Duty = 1%
Center Wavelength	λ_c	1290	1310	1330	nm	$I_{FP} = 200$ mA, PW = 10 μ s, Duty = 1%
Spectral Width	σ			4	nm	RMS (-3 dB)
Rise Time	t _r		0.5	2.0	ns	10-90%
Fall Time	t _f		0.5	2.0	ns	90-10%
Monitor Current	I _m	0.05		2	mA	VRM = 5 V

Pin Description:



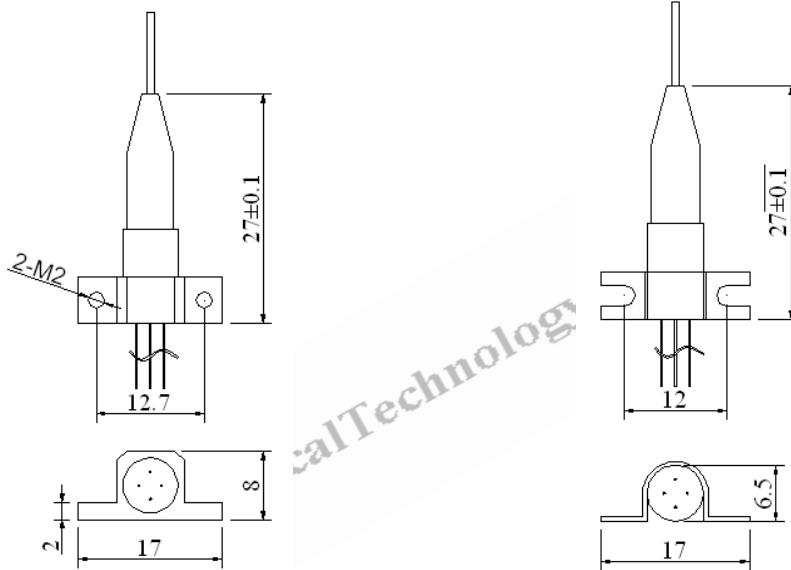
LD:



Type A:

- 【1】 LD +
- 【2】 LD -
- 【3】 PD +
- 【4】 PD -

Package Outline



Order Information

PLD-F312-XAXX

P	LD	-F	31	2	-X	A	X	X
Mode	Product Type	Chip	Wavelength	Bandwidth	Connector	Pin	Pigtail Length	Power Range
		F: FP	31: 1310nm	2: 2.5Gb/s	1: FC/APC 2: FC/PC 3: SC/APC 4: SC/PC 5: LC/PC 6: LC/APC	A: 725	05: 0.5m 10: 1.0m	P20: >20mW P30: >30mW P50: >50mW

Additional requirements can be settled through friendly negotiation.

Shengshi Optical Tech. Co.,Ltd reserves the right to make changes to the product or information contained herein without notice.