



445nm Pigtailed Components

Features

- Wavelength : 445nm(Typ.)
- Output power : 5-20mW
- Threshold current : $I_{th}=40\text{mA}$ (Typ.)
- Operating voltage : $V_{op}=5.5\text{V}$ (Typ.)
- Package : Coaxial Pigtail $\phi 6.0\text{mm}$



Applications

Light source

Absolute Maximum Ratings

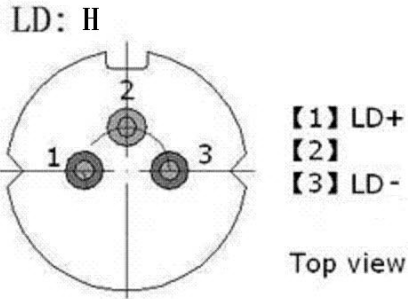
| Parameter | Symbol | Min. | Max. | Unit |
|-------------------------|------------------|------|------|--------------------|
| Fiber Output Power | $P_o(\text{CW})$ | | 20 | mW |
| Forward Current(LD) | $I_f(\text{LD})$ | | 140 | mA |
| Reverse Voltage(LD) | $V_r(\text{LD})$ | | 2 | V |
| Forward Current(PD) | $I_f(\text{PD})$ | | 2 | mA |
| Reverse Voltage(PD) | $V_r(\text{PD})$ | | 15 | V |
| Storage Temperature | T_{stg} | -40 | 85 | $^{\circ}\text{C}$ |
| Operating Temperature | T_o | -10 | 60 | $^{\circ}\text{C}$ |
| Lead Solder Temperature | - | | 260 | $^{\circ}\text{C}$ |
| Lead Solder Time | - | | 10 | S |

Optical & Electrical Characteristics

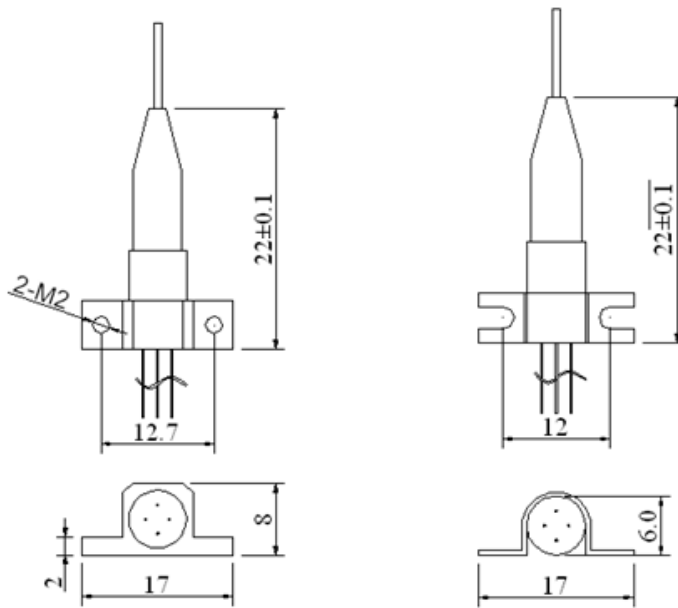
| Parameter | Symbol | Min. | Typical | Max. | Unit |
|---------------------|--|------|---------|------|------------------------|
| Output Power | P_o | 5 | | 20 | mW |
| Threshold Current | I_{th} | | 40 | 50 | mA |
| Operating Current | I_f | | 80 | 120 | mA |
| Operating Voltage | V_f | | 5.5 | 6.5 | V |
| Monitor Current | I_m | | | 500 | μA |
| Cent Wavelength | λ_c | 440 | | 460 | nm |
| Spectral Width(RMS) | $\Delta\lambda$ | | 2 | 3 | nm |
| Spectral Shift | $\Delta\lambda/\Delta T$ | | | 0.2 | nm/ $^{\circ}\text{C}$ |
| Fiber | SM(4 μm or 9 μm), MM, other | | | | |

Pin Assignment

Address: 5-floor,Block B Creative Building, Shaojia Tsui, Wenzhi St.,Hongshan District,Wuhan, City,Hubei,P.R.China
430074



Drawing



Order Information

S445-XXHXX

| S | 445 | -X | X | H | X | X |
|------|------------|--|--|----------|----------------------|---|
| Mode | Wavelength | Connector | Fiber Type | Pin Type | Pigtail Length | Power Range |
| | 445: 445nm | 1: FC/APC 2: FC/PC 3: SC/APC 4: SC/PC 5: ST/PC | S4: SM 4um S9: SM 9um M5: MM 50 M6: MM 62.5 | H | 05: 0.5M 10: 1.0M | P5: >5mW P10: >10mW P20: >20mW |

Additional requirements can be settled through friendly negotiation.
 Shengshi Optical Tech. Co.,Ltd reserves the right to make changes to the product or information contained herein without notice.