



1625nm Pigtailed Components

Features

- Built - in optical isolator
- Low capacitance and low dark current
- Low threshold current , low operating current
- Integrated high isolation , low insertion loss



Applications

OTDR Transmission

Analog or Digital Optical Transmission

Absolute maximum ratings

Parameter	Symbol	Min.	Max.	Unit	Test Condition
Storage Temperature	Tstg	-40	100	°C	-
Operating Temperature	Top	-40	85	°C	-
Reverse Voltage	Vr	-	2	V	CW
Soldering Temp	-	-	260	°C	-
Soldering Time	-	-	10	S	S

Optical & Electrical Characteristics

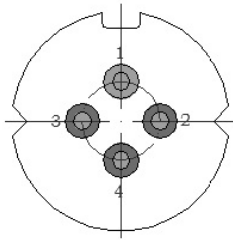
Parameter	Symbol	Min.	Typ.	Max.	Unit	Test Condition
Rated Power	Po	1	2	-	mW	Ith+20mA
Threshold Current	Ith	10	-	20	mA	CW
Forward Voltage Drop	Vop	-	1.0	1.5	V	CW, Ith+20mA
Cent Wavelength	λ_c	1620	1625	1630	nm	-
Spectrum Width(-3dB)	$\Delta\lambda$	-	0.5	1	nm	Ith+20mA
Side-mode Suppression Ratio	SMSR	30	40	-	dB	-
Bandwidth	Bw	-	2.5	-	GHz	RI=50Ω
Monitor Current	Im	0.1	0.5	1	mA	CW, Ith+20mA
Dark Current of Monitor	Id	-	-	100	nA	CW, Ith+20mA
Optical Isolation	ISO	30	-	-	dB	25 °C

PIN Definition

Address: 5-floor,Block B Creative Building, Shaojia Tsui, Wenzhi St.,Hongshan District,Wuhan, City,Hubei,P.R.China
430074



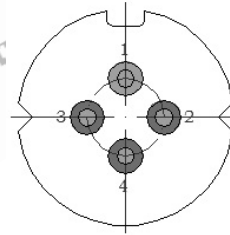
LD:



Type A:

- 【1】 LD +
- 【2】 LD -
- 【3】 PD +
- 【4】 PD -

LD:

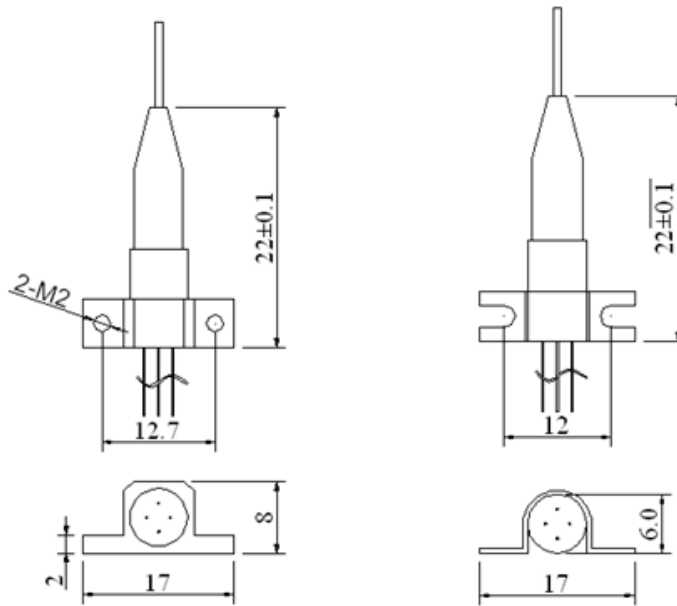


Type B:

- 【1】 CASE
- 【2】 LD -
- 【3】 LD+/PD-
- 【4】 PD +

Bottom View

Drawing



Order Information MLD-D62X2-XAXP1

M	LD	-D	62	X	2	-X	A	X	1
Mode	Product Type	Chip	Wavelength	Insulator	Bandwidth	Connector	Pin	Pigtail Length	Power Range
		D: DFB	62: 1625	S: Single W: Without	2: 2.5Gb/s	1: FC/APC 2: FC/PC 3: SC/APC 4: SC/PC 5: LC/PC 6: LC/APC W: Without	A: 725	05: 0.5m 10: 1.0m	P1: >1mW

Additional requirements can be settled through friendly negotiation.

Shengshi Optical Tech. Co.,Ltd reserves the right to make changes to the product or information contained herein without notice.