



1310/1550nm FP TOSA Components

Features

- Low capacitance and low dark current
- High stability of FP lasers die
- Low threshold current , low operating current



Applications

Light source

Absolute maximum ratings

Parameter	Symbol	Min.	Max.	Unit	Test Condition
Storage Temperature	Tstg	-40	100	°C	-
Operating Temperature	Top	-40	85	°C	-
Reverse Voltage	Vr	-	2	V	CW
Soldering Temp	-	-	260	°C	-
Soldering Time	-	-	10	S	S

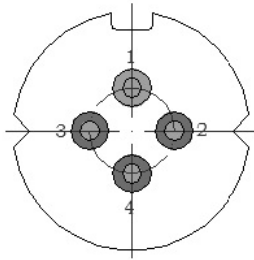
Optical & Electrical Characteristics

Parameter	Symbol	Min.	Typ.	Max.	Unit	Test Condition
Rated Power	Po	0.2	-	2	mW	Ith+20mA
Threshold Current	Ith	3	-	12	mA	CW
Forward Voltage Drop	Vop	-	1.1	1.5	V	CW, Ith+20mA
Cent Wavelength	λ_c	1300	1310	1320	nm	-
		1540	1550	1560		
Spectrum Width(-3dB)	$\Delta\lambda$	-	0.3	0.5	nm	Ith+20mA
Bandwidth	Bw	1.25	2.5	-	GHz	RI=50Ω
Monitor Current	Im	100	-	900	uA	CW, Ith+20mA
Dark Current of Monitor	Id	-	-	100	nA	CW, Ith+20mA
Optical Isolation	ISO	30	-	-	dB	25 °C

PIN Definition



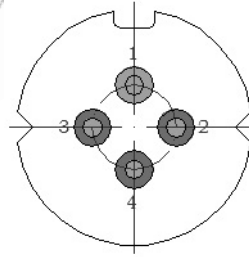
LD:



Type A:

- 【1】 LD +
- 【2】 LD -
- 【3】 PD +
- 【4】 PD -

LD:

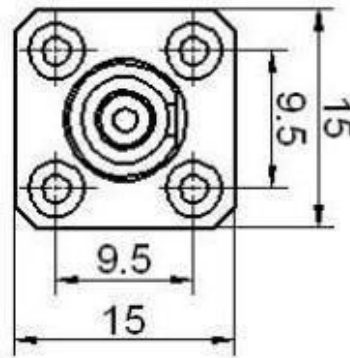
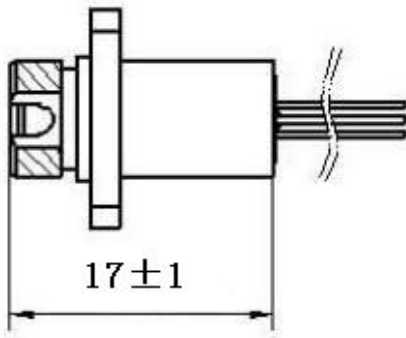


Type B:

- 【1】 CASE
- 【2】 LD -
- 【3】 LD+/PD-
- 【4】 PD +

Bottom View

Drawing



Order Information

TLD-FXXX-XXX

T	LD	-F	X	X	X	-X	X	X
Mode	Product Type	Chip	Wavelength	Insolator	Bandwidth	Connector	Pin	Power Range
		F: FP	31: 1310nm 55: 1550nm	S: Single W: Without	1: 1.25Gb/s 2: 2.5Gb/s	F: FC S: SC T: ST 3: FC&SC&ST	A: 725 B: 720	P02: >0.2MW P05: >0.5MW P1: >1MW P2: >2MW

Additional requirements can be settled through friendly negotiation.

Shengshi Optical Tech. Co.,Ltd reserves the right to make changes to the product or information contained herein without notice.